



# MEAT BANDSAW



GBS-230A



GBS-270S

**All stainless steel construction • Automatic tension adjusting handle (GBS-230A)  
Electrical control system • Protection against water damage • Motor drive  
Safety: Rolling table, hand guard, automatic sensor shuts down operation when  
door opens during operation • Thickness adjuster**

We provide  
technical support and  
service for all machines  
that we sell.

**MPBS INDUSTRIES**  
Equipment for Industrial Food Processing & Packaging

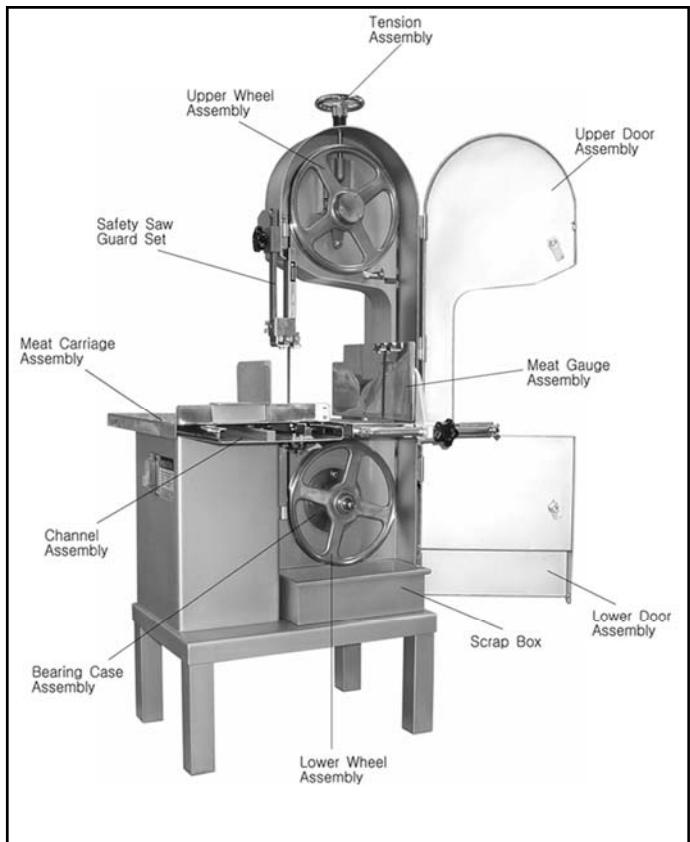
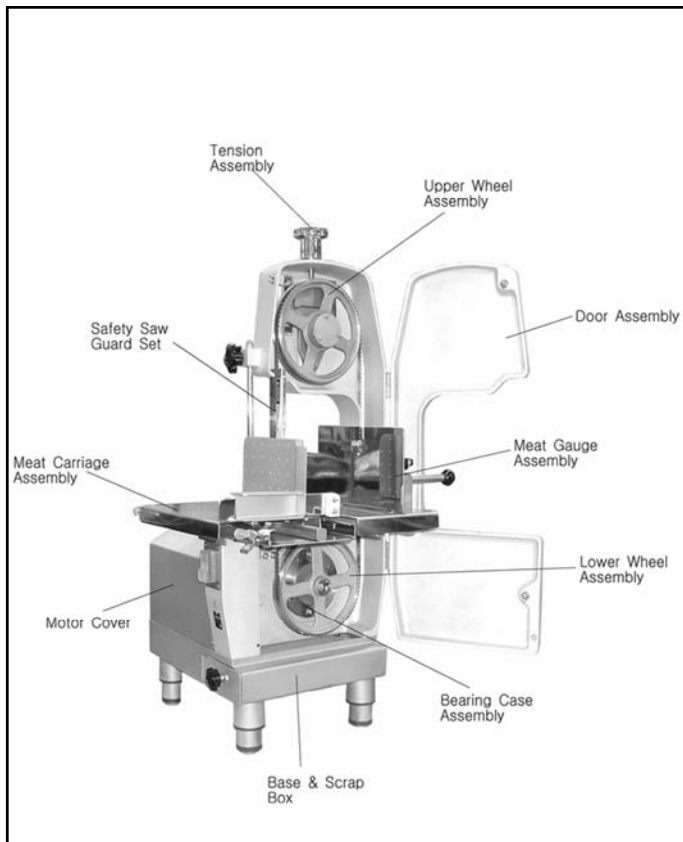
323-268-8514 800-421-6265 323-268-6305 (fax)  
www.mpbs.com



Since 1938

## MEAT BAND SAW

Model		GBS-230A	GBS-270S
Dimension		19.8" x 28" x 37.5"	27.1" x 44.6" x 65.5"
Motor		AC120V x 1Phase x 3/4HP	AC120V x 1Phase x 1.5HP
Weight		88 lb	275 lb
Table	Stationary	7.6" x 19.7"	11" x 30"
	Carriage	13.8" x 22.4"	9.5" x 13"
	Loading	14"	22.2"
Leng of Saw Blade		65.5"(1665mm)	92.9"(2360mm)



- All specifications are subject to change without notice.



Commercial Food  
Preparing Machines  
E241294  
138S



**German Knife**

**Distributed by: MPBS Industries**