

VARIIVAC

VariVac VV-15, VV-30, VV-50
Table-Top Marinating Vacuum Tumbler

Sample Marinated Products



Chicken



Pork



Features:

- Perfect for restaurants, deli, meat market display case products and even home use
- Internal Vacuum Pump
- LED timer (hours and minutes)
- Easy to remove tank - just lift it off
- Easy to clean
- Vacuum gauge
- Clear lid
- Option: Dual Action (15, 30)

We provide
technical support and
service for all machines
that we sell.

MPBS INDUSTRIES
Equipment for Industrial Food Processing & Packaging

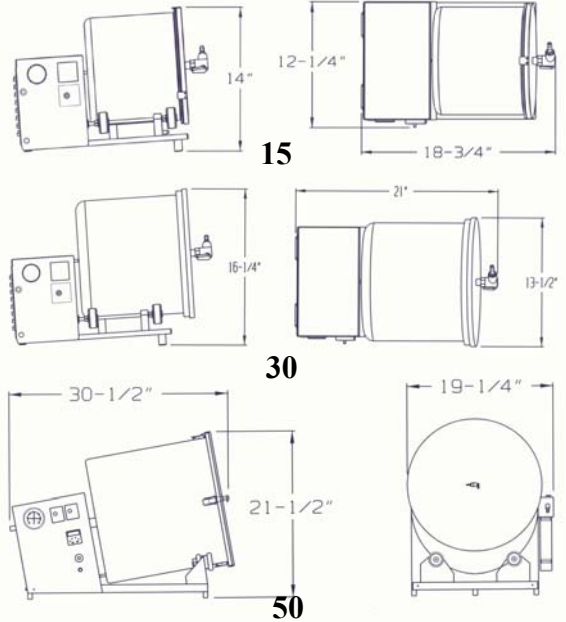
2820 East Washington Blvd. Los Angeles CA 90023
323-268-8514 ♦ 323-268-6305 (fax) ♦ www.mpbs.com
Hours: 8:00 - 4:30 PM
Se Habla Espanol






Since 1938

VARIVAC

VariVac VV-15, VV-30, VV-50 Marinating Vacuum Tumblers



◆◆◆ Technical Specifications ◆◆◆

Models	VV-15 	VV-30 	VV-50 
Power Supply	15 amps / 120 V / 60 Hz	15 amps / 120 V / 60 Hz	15 amps / 120 V / 60 Hz
Tumbler Speed	10 ½ RPM	9 RPM	0 - 18 RPM
Vacuum Pump	1/25th HP	1/25th HP	1/8th HP
Timer	LED read out	LED read out	LED read out
Maximum Capacity	15 lb	30 lb	50 lb
Tumble Capacity	12 ½ lb	25 lb	44 lb
Weight	26 lb (Net)	29 lb (Net)	83 lb (Net)
Dimensions	12 ¼" x 18 ¾" x 14"	13 ½" x 21" x 16 ¼"	19 ¼" x 30 ½" x 21 ½"
Features	Vacuum Gauge, Timer, Tumble/ Vacuum-Toggle Switch	Vacuum Gauge, Timer, Tumble/ Vacuum-Toggle Switch	Tumbler speed-adjustable, Tumbler "Start" timer vacuum pump "Stop" – "Start" toggle

* All specifications are subject to change without notice



VariVac by MPBS Industries

Distributed by: