



Hydraulic Piston Fillers/Stuffers F14s • F25s • F35s • F50s



Market Leader in the Global Food Industry



F50s



F35s



F25s



F14s

*New range of Hydraulic Piston Fillers/Stuffers.
4 capacities, all stainless steel.*

Advantages at a Glance



- 2 wheels and handle for easy transport. Optional 4 wheels adding 2 swivel casters.
- Easily accessible speed control.
- Pressure gauge.
- Removable lid, adjustable lid lock nuts with handle.
- Independent hydraulic oil reservoir.
- Thermal protected motor.
- Automatic knee lever lock until the piston reaches the lower position.

Carefully designed for easy dismantling, allowing quick access to all components for maintenance and cleaning.



Outstanding Features

- Robust stainless steel construction.
- Lid and piston in solid s/s sheet of great thickness and resistance.
- Round, mechanized barrel, internally grinded: perfect internal diameter and sealing.
- Easily removable piston.
- High pressure for dens and cold mixtures.
- Automatic piston decompression. Instant stop of product flow.
- Cylinder ram in stainless steel.
- New lid and piston seals of low wear and long life.

“Hands-free”, knee activated automatic start/stop of motor by internal micro-switch and contactor within a water resistant electrical unit.
Benefits: less wear, less noise, reduced power consumption; lower operating temperature; longer life for oil, pump and hydraulic group.

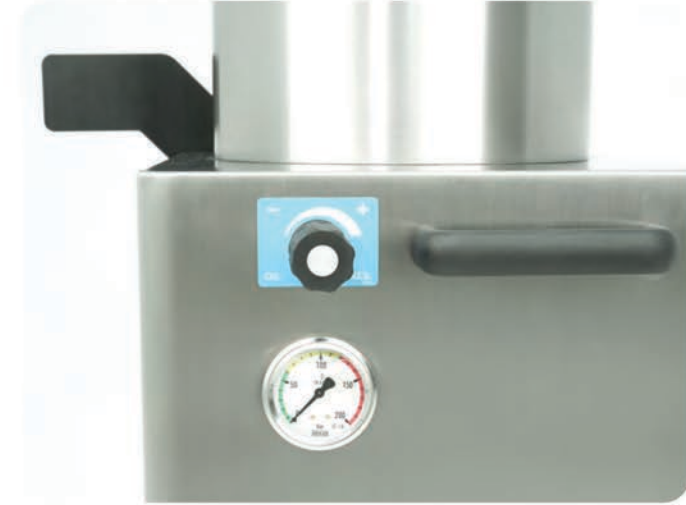
Standard Equipment



Ergonomic knee lever.
Reversible operating direction.



Removable lid,
adjustable lid lock nuts with handles.



Speed control & pressure gauge.



3 transparent nozzles, \varnothing ext 14, 20 and 30 mm.
Maximum hygiene, without edges.



Adjustable anti-vibration feet.



Fully s/s barrel bottom with water draining outlet. Simple cleaning.

Standard Equipment



Round, mechanized barrel, internally grinded:
perfect internal diameter and sealing.



Easily removable piston,
new s/s piston extraction wrench included.



New lid and piston seals
of low wear and long life.



Powerful hydraulic system. Transparent
oil reservoir, completely independant.



Plastic nozzel/horn nut.
Soft closing and better sealing.

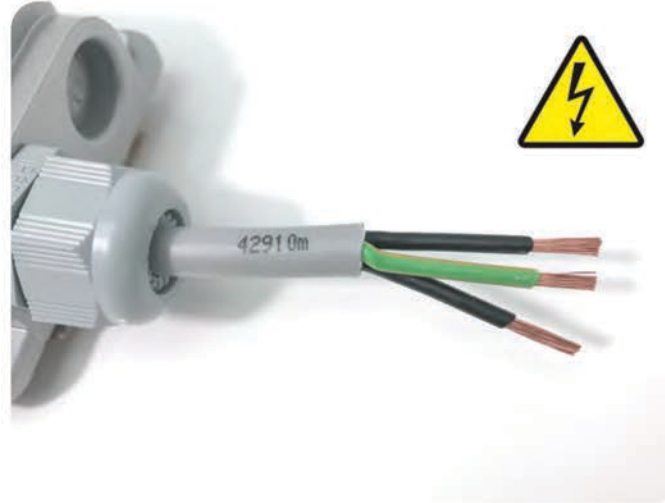


Cylinder ram in stainless steel.
Replaceable ram top.

Optional Equipment



4 wheel option: adding 2 swivel casters on anti-tilt extensions, with brakes.



Optional 110/220 V Single-Phase Motor.



Material	Ø ext. mm (inch)	Ø int. mm (inch)	Tube length mm (inch)
Stainless Steel	10 (0.39")	8 (0.32")	160 (6.3")
Stainless Steel	12 (0.47")	10 (0.39")	160 (6.3")
Stainless Steel	15 (0.59")	12 (0.47")	195 (7.7")
Stainless Steel	18 (0.71")	15 (0.59")	195 (7.7")
Stainless Steel	20 (0.79")	17 (0.67")	195 (7.7")
Stainless Steel	25 (0.98")	22 (0.87")	195 (7.7")
Stainless Steel	30 (1.18")	27 (1.06")	195 (7.7")
Stainless Steel	38 (1.50")	35 (1.38")	220 (8.7")
Stainless Steel	43 (1.69")	40 (1.58")	235 (9.3")
Stainless Steel	10 (0.39")	8 (0.32")	280 (11")
Stainless Steel	12 (0.47")	10 (0.39")	280 (11")
Stainless Steel	15 (0.59")	12 (0.47")	280 (11")
Stainless Steel	18 (0.71")	15 (0.59")	280 (11")
Stainless Steel	20 (0.79")	17 (0.67")	280 (11")
Stainless Steel	25 (0.98")	22 (0.87")	280 (11")
Stainless Steel	30 (1.18")	27 (1.06")	280 (11")
Stainless Steel	38 (1.50")	35 (1.38")	280 (11")
Stainless Steel	43 (1.69")	40 (1.58")	280 (11")



Manual Portion Head PF500, portions from approx. 20 to 500 grams.

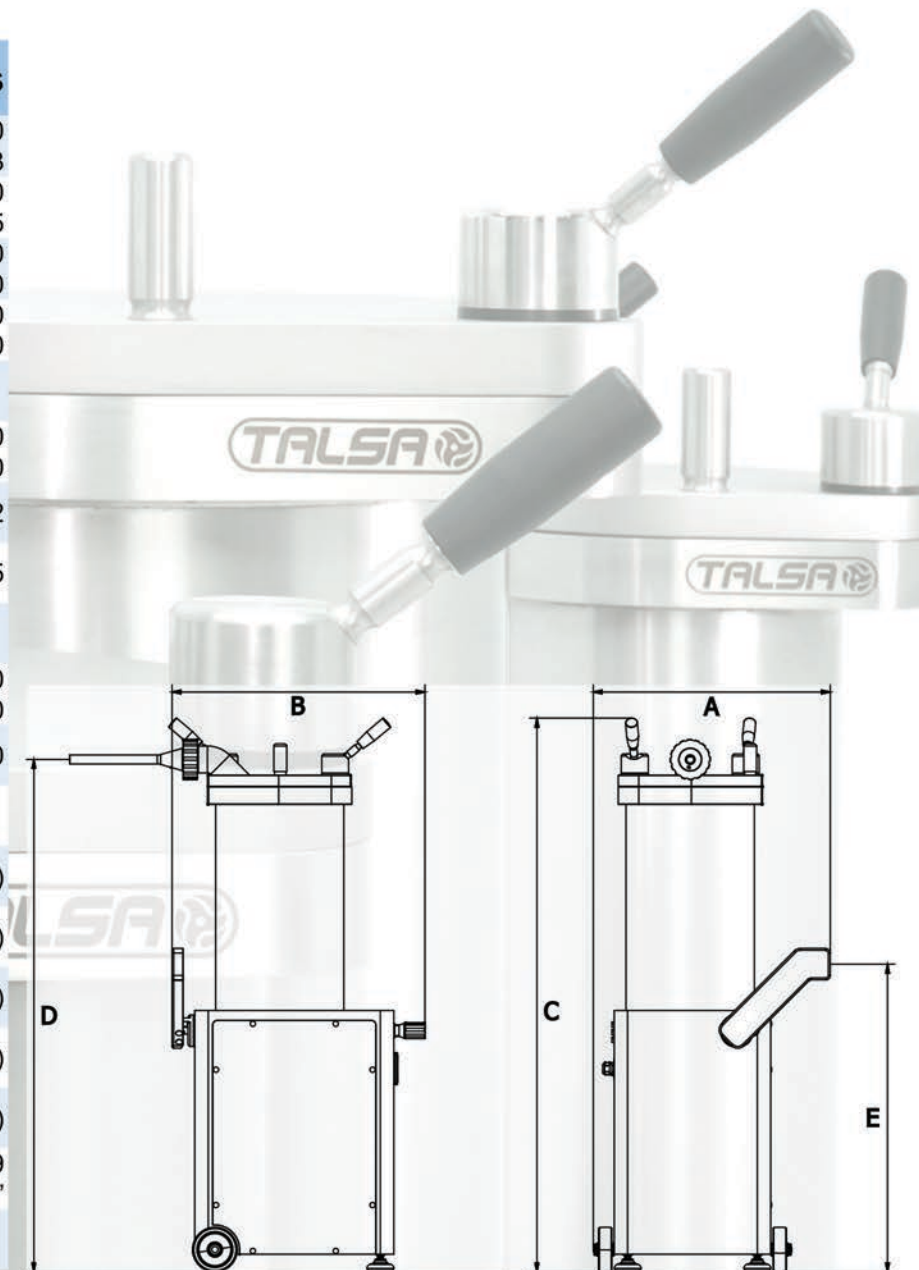


Curved nozzle to fill cans with Portion Head PF500.

Optional s/s nozzles/horns, different diameters and length.

Technical Specifications

		F14s	F25s	F35s	F50s
Barrel capacity	Litres	14.2	25.2	35.1	51.0
	US.liq.gal.	3.7	6.6	9.2	13
Meat capacity	kg	± 11	± 20	± 28	± 40
	lbs	± 26	± 48	± 65	± 95
Net weight	kg	± 120	± 140	± 160	± 260
	lbs	± 265	± 310	± 350	± 580
Weight incl. packaging	kg	± 140	± 160	± 180	± 300
	lbs	± 310	± 350	± 400	± 660
Three-Phase Motors					
Power	HP	0.75	1.50	1.50	2.50
	kW	0.55	1.10	1.10	1.80
Max. consumption 380/400 V	A	1.9	3.1	3.1	4.2
Max. consumption 220/230 V	A	3.3	5.3	5.3	7.5
Single-Phase Motors					
Power	HP	1.00	1.75	1.75	2.50
	kW	0.75	1.30	1.30	1.80
Max. consumption 220/230 V	A	6.2	9.0	9.0	13.0
Dimensions					
A	cm (inch)	47 (19")	53 (21")	53 (21")	64 (26")
B	cm (inch)	54 (21")	57 (23")	57 (23")	63 (25")
C	cm (inch)	124 (49")	124 (49")	124 (49")	136 (64")
D	cm (inch)	115 (45")	115 (45")	115 (45")	127 (50")
E	cm (inch)	68 (27")	68 (27")	68 (27")	69 (27")
Packaging	cm	43x68x137	53x68x137	53x68x137	72x67x149
	inch	17"x27"x54"	21"x27"x54"	21"x27"x54"	29"x27"x59"
Volume packaged	m ³	0.4	0.5	0.5	0.7



TALSA, Tradition and Innovation:

80 years producing fillers/stuffers.

115 years of industrial experience in machinery.

Sales and distributors in more than 60 countries.



Four generations of the Belloch family have succeeded in making what began as a small mechanical workshop founded in 1900 to serve the electrical industry, more than 100 years later an efficient industrial structure of 6000m² where attention, illusion and constant improvement is paid to every detail of our machines.

In this catalog we offer you the best of our knowledge and experience and the most modern and innovative machines, newly designed with advanced 3D software technology and R&D support from the European Union.

Thank you for your trust.

Our product range:

- Cutters/Choppers
- Mincers/Grinders
- Fillers/Stuffers
- Mixers
- Cookers/Kettles

Talsabell s.a.
Valencia - Spain



Your authorized TALSA dealer:



2820 East Washington Blvd Los Angeles CA 90023
Tel: 323-268-8514, 800-421-6265
www.mpbs.com
contact@mpbs.com

Dimensions and illustrations are not binding. We reserve the right to make changes.



EUROPEAN UNION
European Regional
Development Fund
Investing in Your Future